

ROLLERBLINDS

Vegas



THE INNOVATIVE
ROLLER SHUTTER SYSTEM

Vegas Revo

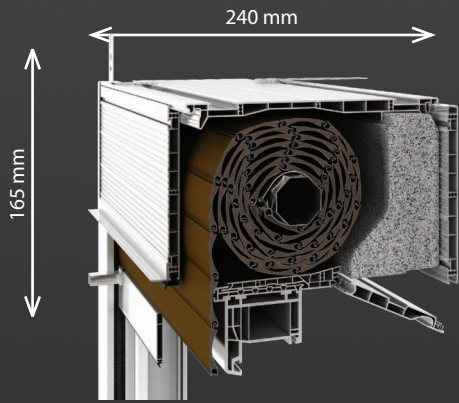
Vegas Revo roller shutter system is the best choice for everyone who values modern shading solutions. Revo system has been designed basing on many years of experience and knowledge of experts and practitioners of roller shutter industry, meeting all the needs and demands set for such products by the modern market.

It is a system created by professionals for professionals: architects, builders, shutter systems manufactures and distributors, extremely easy in assembly and comfortable in installation.

Discover
revolutionary
possibilities

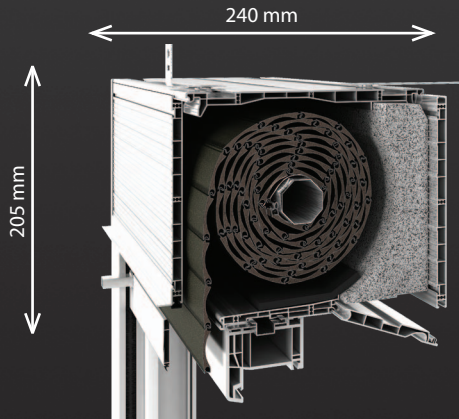
www.vegasrevo.com

Revo System. The optimal solution for your window.



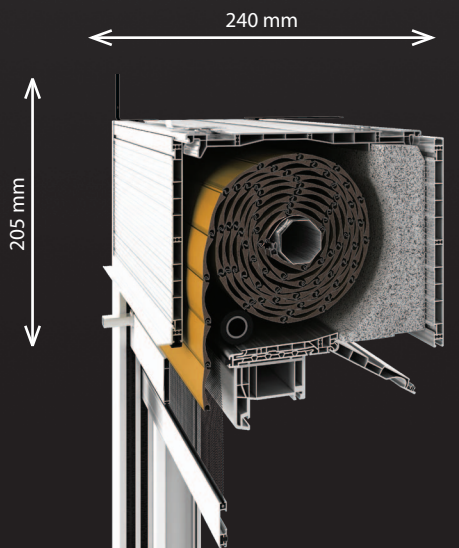
Roller shutter box Vegas Revo 165 mm

- maximum roller shutter curtain height: **200 cm**
- thermal heat transfer coefficient U_{sb} : **0,76 W/m² · K**
- mounted through sliding onto aluminium adaptation profile or clicking into the universal PVC adaptation slat
- possible to install onto window frames with section width up to **99 mm**



Roller shutter box Vegas Revo 205 mm

- maximum roller shutter curtain height: **355 cm**
- thermal heat transfer coefficient U_{sb} : **0,69 W/m² · K**
- mounted through sliding onto aluminium adaptation profile or clicking into the universal PVC adaptation slat
- possible to install onto window frames with section width up to **99 mm**



Roller shutter box Vegas Revo 205 mm with integrated roll-up insect screen

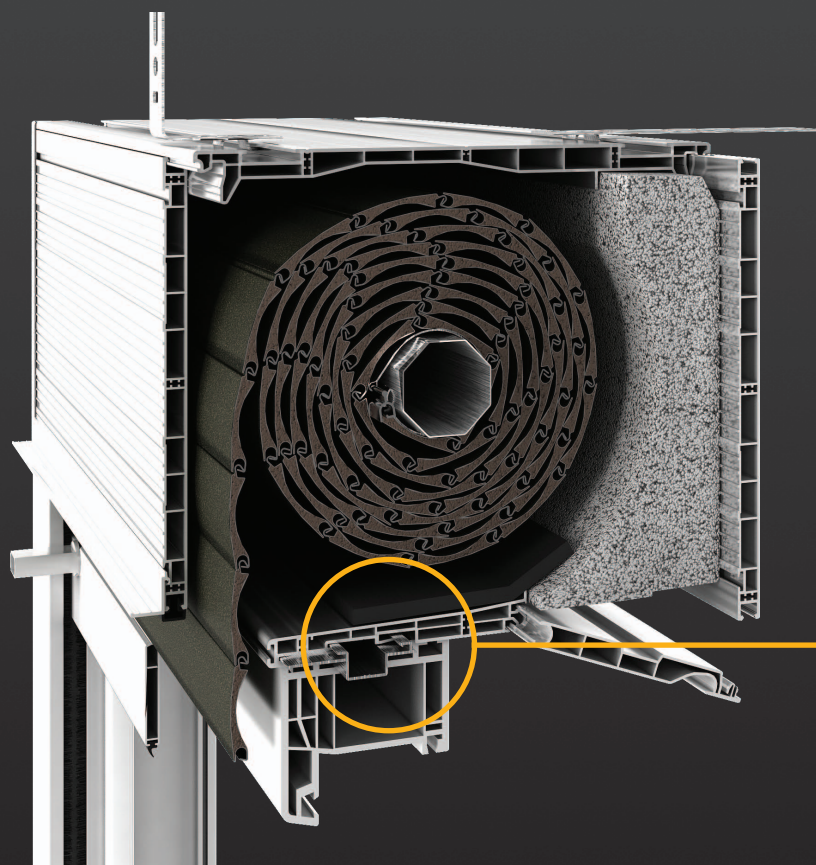
NEW

- maximum roller shutter curtain height: **250 cm**
- maximum insect screen curtain height: **250 cm**
- thermal heat transfer coefficient U_{sb} : **0,69 W/m² · K**
- mounted through clicking into the universal PVC adaptation slat
- possible to install onto window frames with section width up to **88 mm**
- insect screen scroll equipped with brake preventing from sudden convolution of the screen into the shutter box and tearing out the sideslips
- automatic locking of the insect screen bottom bar in a pulled down position, easy lock release through a single pull of the insect screen bottom bar

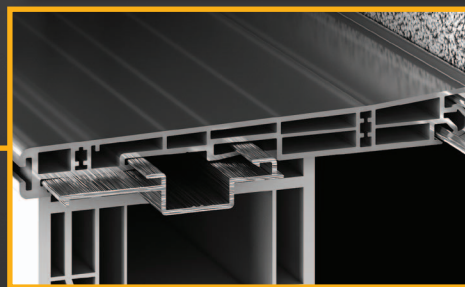


Only Vegas Revo roller shutter system provides the solution of the divisible insect screen scrolls, which allows to create multiple independent insect screen scrolls in one roller shutter box and with a single undivided roller shutter curtain.

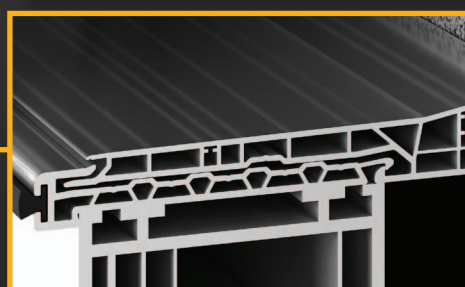
Revo. Mounting fully adjusted to your individual needs.



Aluminium profiles



Universal PVC slat



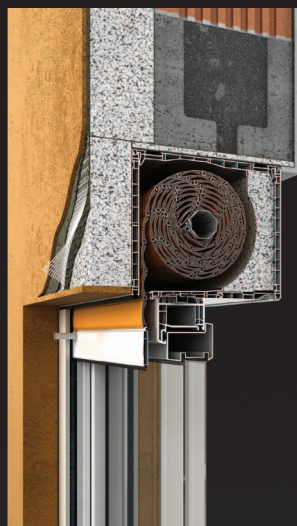
PVC adaptation slat - perfect, when you're looking for universal solution - available in a single variant, suitable for every type and profile of window frame. Thanks to its ventricular channel construction, the slat features high stiffness and durability against deformation. That makes mounting the roller shutter box onto the window frame much easier.

Aluminium adaptation profile - perfect, if you're up for a tailor-made solution - available in five variants, provides a tight and stable mount of roller shutter box on top of the window profiles of virtually any window system manufacturer. Montage requires sliding the roller shutter box onto the profile screwed to the top of window frame.

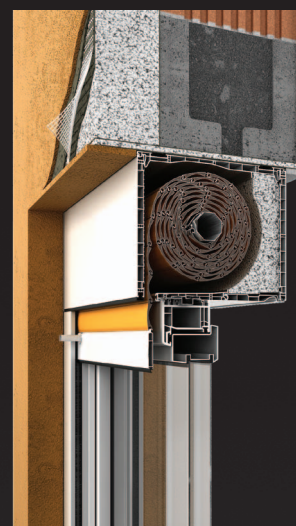
Vegas Revo. Covering possibilities.



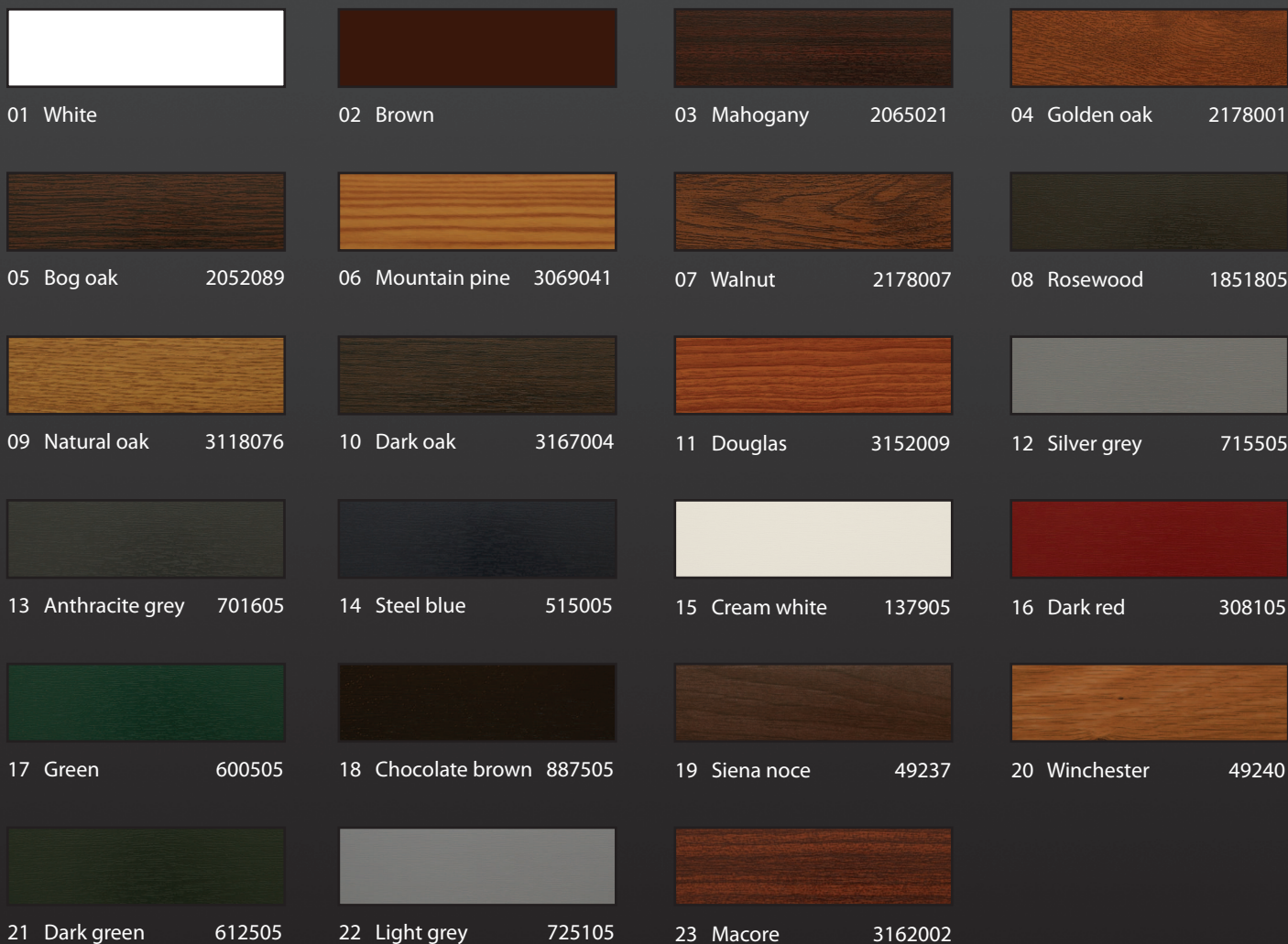
roller shutter box with front and rear wall insulated



roller shutter box with front wall insulated



roller shutter box without external insulation



MANUFACTURER:

Hosten Polska Sp. z o.o., ul. 1905 Roku 1/9, 26-600 Radom, Poland

Tel.: 0048 48 366 99 23

Tel.: 0048 48 364 01 98

Tel.: 0048 48 385 50 18

E-mail: hosten@hosten.pl
 Website: <http://www.hosten.pl>



**PROGRAM
REGIONALNY**
NARODOWA STRATEGIA SPÓJNOŚCI

Mazowsze.
serce Polski

UNIA EUROPEJSKA
EUROPEJSKI FUNDUSZ
ROZWOJU REGIONALNEGO



Co-financed by the European Union through the European Regional Development Fund under the Regional Operational Programme for voivodeship Mazovia 2007-2013